



Engine	Yunnei YN38GBZ1
Gross Power	65 kW (87 hp / 88 ps) @ 2,400 rpm
Net Power	61 kW (82 hp / 83 ps) @ 2,400 rpm
Operating Weight	4,987 kg
Bucket Size	1.0 m ³
Standard Breakout Force	51.5 kN
Standard Dump Clearance	2,567 mm

816C WHEEL LOADER

816C SPECIFICATIONS >>>

ENGINE

Emission Regulation	Tier 2 / Stage II
Manufacturer	Yunnei
Model	YN38GBZ1
Gross Power	65 kW (87 hp / 88 ps) @ 2,400 rpm
Net Power	61 kW (82 hp / 83 ps) @ 2,400 rpm
Peak Torque	285 N·m @ 1,600~1800 rpm
Torque Rise %	17 %
Number of Cylinders	4
Aspiration	Turbocharge
Displacement	3.8 L

TRANSMISSION

Transmission Type	Counter shaft-type power shift
Torque Converter	3 element - single stage, single phase
Maximum Travel Speed, fwd	21 km/h
Maximum Travel Speed, rev	21 km/h
Number of Speeds, fwd	2
Number of Speeds, rev	2

AXLES

Differential Front Type	Conventional
Differential Rear Type	Conventional
Axle Oscillation	11°

STEERING

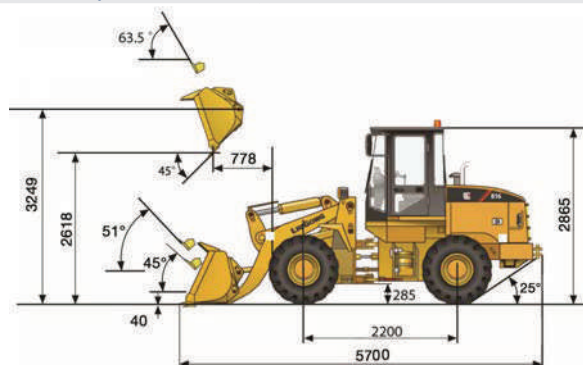
Steering Configuration	Articulated
Steering Relief Pressure	14.8 Mpa

BRAKES

Service Brake Type	Caliper dry disc
Service Brake Actuation	Hydraulic
Parking Brake Type	Shoe / Drum
Parking Brake Actuation	Mechanical

HYDRAULIC SYSTEM

Main Pump Type	Gear
Main Relief Pressure	18 MPa
Raise	3.8 s
Dump Time	0.7 s
Float Down Time	2.4 s
Fastest Total Cycle Time	6.9 s



LOADER ARM PERFORMANCE with Standard Bucket 1.0 m³

Tipping Load - Straight (ISO 14397-1:2007)	4,478 kg
Tipping Load - Full Turn (ISO 14397-1:2007)	3,941 kg
Bucket Breakout Force	51.5 kN
Maximum Dump Angle at Full Height	45°
Dump Clearance at Full Height Discharge	2,567 mm
Dump Reach at Full Height Discharge	828 mm
Maximum Hinge Pin Height	3,248 mm
Maximum Digging Depth, Bucket Level	40 mm
Bucket Rollback at Ground Level	45°
Bucket Rollback at Carry	51°
Bucket Rollback at Maximum Height	63.5°

BUCKET PERFORMANCE

Reference Bucket	1.0 m ³
------------------	--------------------

DIMENSIONS

Length with Bucket Down	5,700 mm
Width Over Tires	1,982 mm
Wheelbase	2,200 mm
Wheel Tread	1,562 mm
Ground Clearance	285 mm
Turn Angle, Either Side	38°
Rear Angle of Departure	25°
Turning Radius, Outside of Tire	4,204 mm
Turning Radius, Center of Tire	3,980 mm
Turning Radius, Bucket Carry	4,639 mm
Width Over Bucket	2,096 mm

TIRES

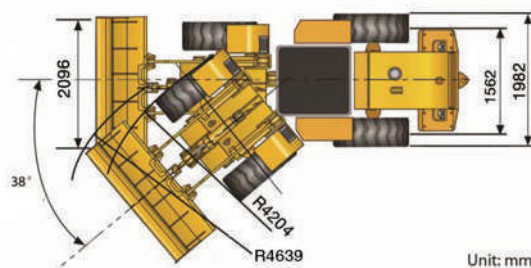
Tire Size	16 / 70 - 20
-----------	--------------

OPERATING WEIGHTS

Operating Weight	4,987 kg
------------------	----------

SERVICE CAPACITY

Fuel Tank	95 L
Engine Oil	6.8 L
Cooling System	15 L
Hydraulic Reservoir	78 L
Transmission and Torque Converter	16 L
Axles, each	13 L



Unit: mm



KEM Tower Lantai 15, Jl. Landasan Pacu Barat Kav. 2 B-10, Gunung Sahari Selatan, Kemayoran Jakarta Pusat 10610
Phone : +62 21 6570 4111 (Hunting) | Fax : +62 21 6570 4110 | Email : info@probesco.com

Jakarta | Surabaya | Medan | Pekanbaru | Padang | Jambi | Lampung | Palembang | Bengkulu | Balikpapan | Banjarmasin | Pontianak | Sampit | Samarinda | Tarakan | Ketapang | Makassar | Manado | Timika | Kendari