

Engine	Cummins 6BTAA5.9-C130
Rated Power	97 kW (132 hp) @ 2,200 rpm
Net Power	89 kW (121 hp) @ 2,200 rpm
Operating Weight	10,300 kg
Bucket Capacity Range	1.5 - 3 m ³
Standard Breakout Force	99 kN
Standard Dump Clearance	2,930 mm

835H

WHEEL LOADER

 **LIUGONG**



TOUGH WORLD. TOUGH EQUIPMENT.

835H SPECIFICATIONS >>>

ENGINE

Emission Regulation	Tier 2 / Stage II
Maker	Cummins
Model	6BTAA5.9-C130
Gross Power	97 kW (132 hp) @ 2,200 rpm
Net Power	89 kW (121 hp) @ 2,200 rpm
Peak Torque	580 N·m @ 1,300~1,500 rpm
Displacement	5.9 L
Number of Cylinder	6
Aspiration	Turbocharged & Air-to-air inter-cooled

TRANSMISSION

Transmission Type	Countershaft, power shift
Torque Converter	Single stage, three elements
Maximum Travel Speed, fwd	38 km/h
Maximum Travel Speed, rev	25 km/h
Number of Speed, fwd	4
Number of Speed, Rev	3

AXLES

Differential Front Type	Conventional
Differential Rear Type	Conventional
Axle Oscillation	±10°

STEERING

Steering Configuration	Articulated
Steering Relief Pressure	17.2 MPa

BRAKES

Service Brake Type	Caliper discs brake
Service Brake Actuation	Air over hydraulic
Parking Brake Type	Mechanical control
Parking Brake Actuation	Mechanical

HYDRAULIC SYSTEM

Main Pump Type	Gear
Main Relief Pressure	17 MPa
Raise	5.1 s
Dump Time	1.1 s
Float Down Time	3.1 s
Fastest Total Cycle Time	9.3 s

LOADER ARM PERFORMANCE with Quick Attach Bucket 1.8 m³

Tipping Load - Straight (ISO 14397-1:2007)	7,700 kg
Tipping Load - Full Turn (ISO 14397-1:2007)	6,600 kg
Bucket Breakout Force	99 kN
A Maximum Hinge Pin Height	3,738 mm
B Dump Clearance at Full Height Discharge	2,930 mm
C Dump Reach at Full Height Discharge	1,035 mm
D Maximum Digging Depth, Bucket Level	40 mm
S ₁ Rollback at Ground Level	42°
S ₂ Bucket Rollback at Carry	49°
S ₃ Bucket Rollback at Maximum Height	60°
S ₄ Maximum Dump Angle at Full Height	45°

BUCKET PERFORMANCE

Reference Bucket	1.8 - 2 m ³
------------------	------------------------

DIMENSIONS

E Ground Clearance	350 mm
G Wheelbase	2,870 mm
H Cab Height	3,340 mm
J Wheel Tread	1,850 mm
K Width Over Tires	2,295 mm
L Length with Bucket Down	7,150 mm
M Turn Angle, Either Side	40°
P Rear Angle of Departure	28°
R ₁ Turning Radius, Bucket Carry	5,660 mm
R ₂ Turning Radius, Outside of Tire	5,090 mm
W Width Over Bucket	2,460 mm

TIRES

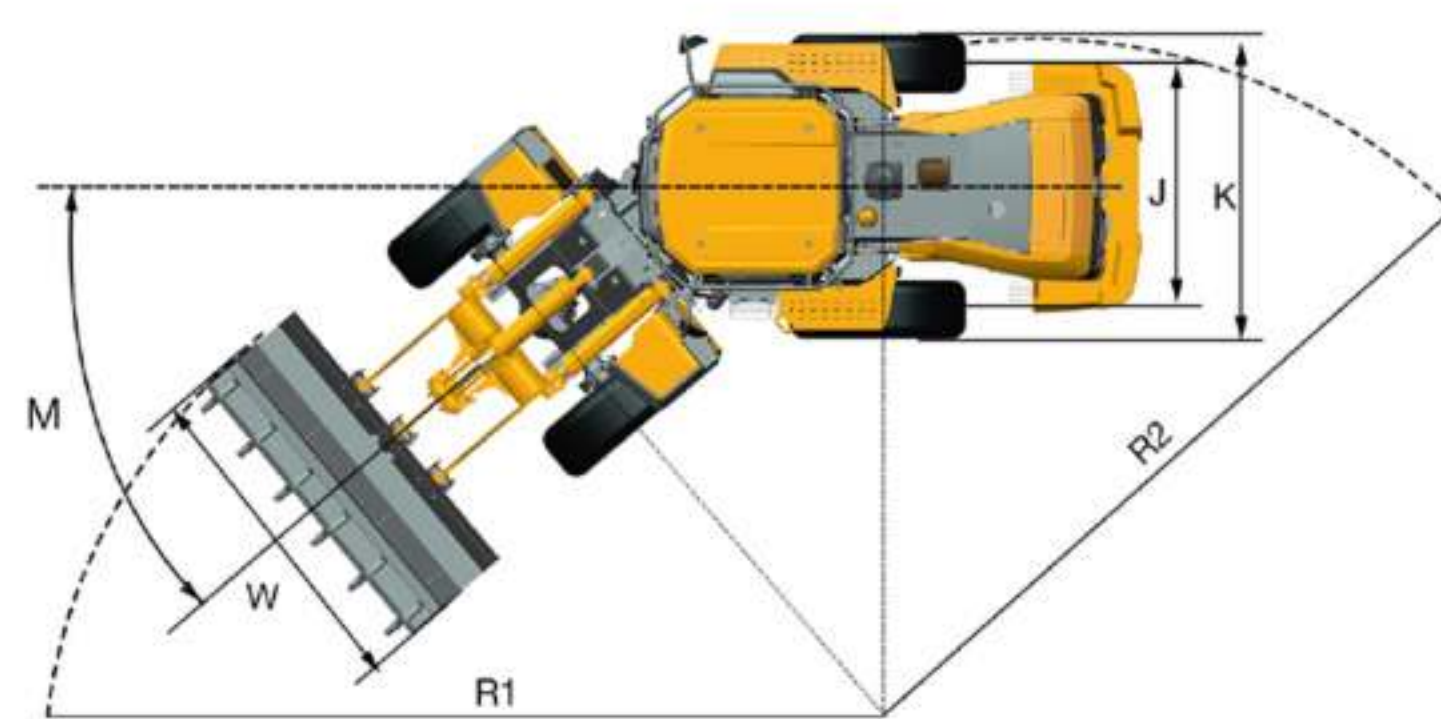
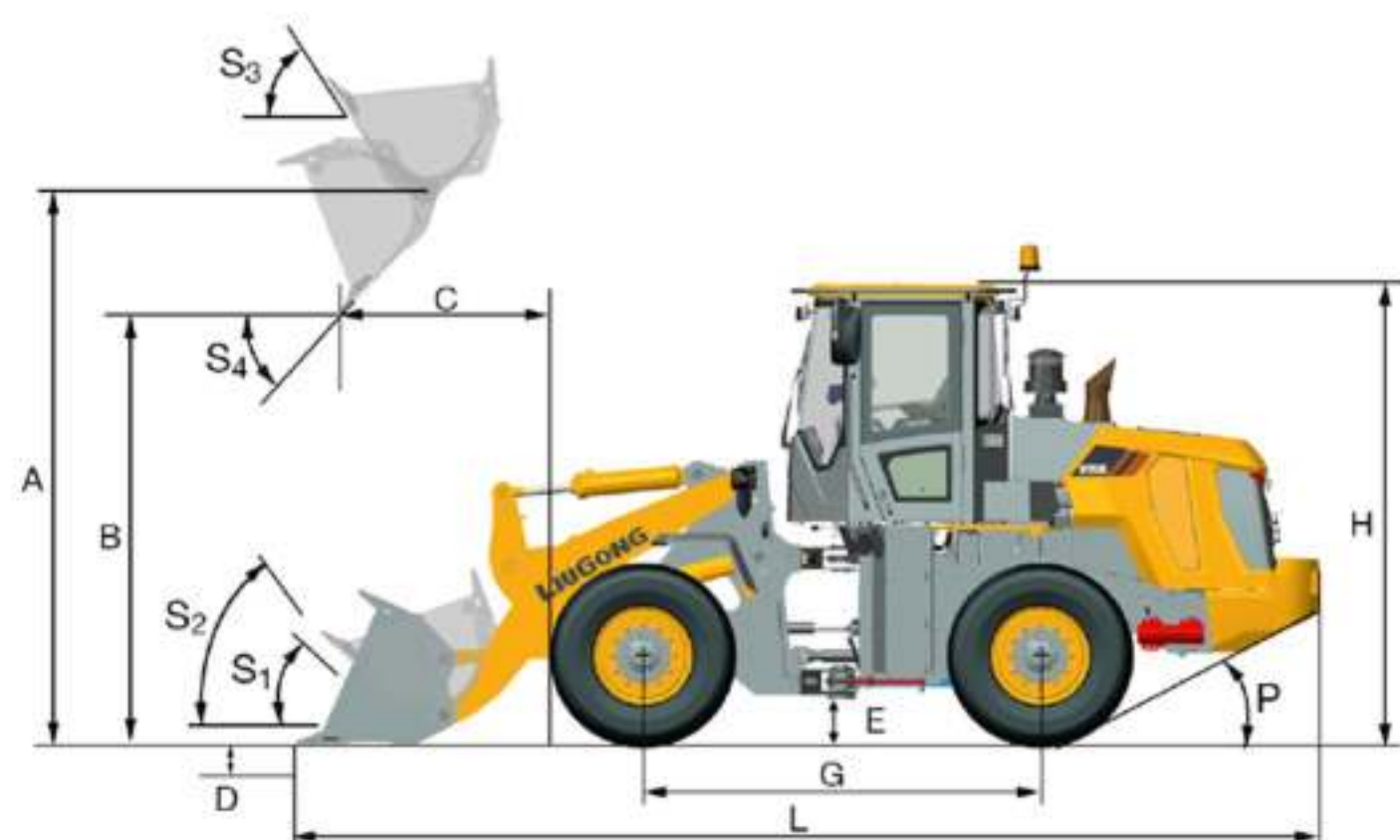
Tire Size	17.5 - 25 PR12
-----------	----------------

OPERATING WEIGHTS

Operating Weight	10,300 kg
------------------	-----------

SERVICE CAPACITY

Fuel Tank	140 L
Engine Oil	16.3 L
Cooling System	35 L
Hydraulic System	130 L
Transmission and Torque Converter	45 L
Axles, Each	22 L



Specifications and designs are subject to change without notice. Machines shown may include optional equipment. LiuGong standard and optional equipment may vary from region to region. Please consult your LiuGong dealer for information specific to your area.



KEM Tower Lantai 15, Jl. Landasan Pacu Barat Kav. 2 B-10, Gunung Sahari Selatan, Kemayoran Jakarta Pusat 10610
Phone : +62 21 6570 4111 (Hunting) | Fax : +62 21 6570 4110 | Email : info@probesco.com

Jakarta | Surabaya | Medan | Pekanbaru | Padang | Jambi | Lampung | Palembang | Bengkulu | Balikpapan | Banjarmasin | Pontianak | Sampit | Samarinda | Tarakan | Ketapang | Makassar | Manado | Timika | Kendari