

Engine	Yanmar 4TNV98T-ZNLYS
Gross Power	61.3 kW (82.5 hp) @ 2,400 rpm
Net Power	57.3 kW (76.8 hp) @ 2,400 rpm
Breakout Force	25.5 kN
Rated Load	955 kg
Bucket Capacity	0.45 m ³
Operating Weight	3,420 kg

375A SKID STEER LOADER



TOUGH WORLD. TOUGH EQUIPMENT.

375A SPECIFICATIONS >>>

ENGINE

Emission Regulation	Tier 2 / Stage II
Make	Yuchai
Model	YC4A105Z-T20
Gross Power	75 kW (102 hp) @ 2,200 rpm
Net Power	72 kW (98 hp) @ 2,200 rpm
Peak Torque	400 N · m @ 1,500 rpm
Displacement	4.8 L

ELECTRICAL SYSTEM

System Voltage	12 V
Battery Rating	95 amp - hr

DRIVE TRAIN

Number of Drive Wheels	4WD
1st Maximum Speed, fwd/rev	9.8 / 12.7 km/h
2nd Maximum Speed, fwd/rev	17.5 / 36 km/h
3rd Maximum Speed, fwd	28 km/h
4nd Maximum Speed, fwd	44 km/h
Turning Radius Outside of Front Tire	4,800 mm

BRAKES

Service Brake Type	Caliper
Service Brake Actuation	Air over hydraulic

TIRES

Front Tire Size	14-17.5NHS-14PR T
Rear Tire Size	16/70-24

HYDRAULIC SYSTEM

Circuit Type	Open
Total Flow	122 L/min
Main Relief Pressure	21.5 MPa
Pump Type	Gear pump
Steering Type	Priority valve

OPERATING WEIGHTS

Operating Weight	8,300 kg
------------------	----------

LOADER PERFORMANCE

Standard Bucket Type (referenced)	General purpose
Heaped Capacity ISO (referenced)	1.0 m ³
Standard Bucket Width (referenced)	2,260 mm
Lift Capacity at Full Height	27.1 kN
Bucket Breakout Force	59.6 kN
Maximum Dump Angle at Full Height	45°
Dump Height at Maximum Angle	2,691 mm
Dump Reach at Full Height Discharge	713 mm
Boom Lift Capacity, end, at ground	42.4 kN
Maximum Dig Depth	59 mm

BACKHOE PERFORMANCE

Standard Bucket Type (referenced)	General Purpose
Heaped Capacity ISO (referenced)	0.2 m ³
Standard Bucket Width (referenced)	610 mm
Maximum Dig Depth	4,440 mm
Reach From Swing Pivot at Ground	5,443 mm
Turning Angle of Bucket	186°
Bucket Digging Force	52.1 kN
Dipper Digging Force, standard stick	33.6 kN
Loading Height	3,586 mm
Loading Reach from Swing Pivot	3,007 mm

SERVICE CAPACITIES

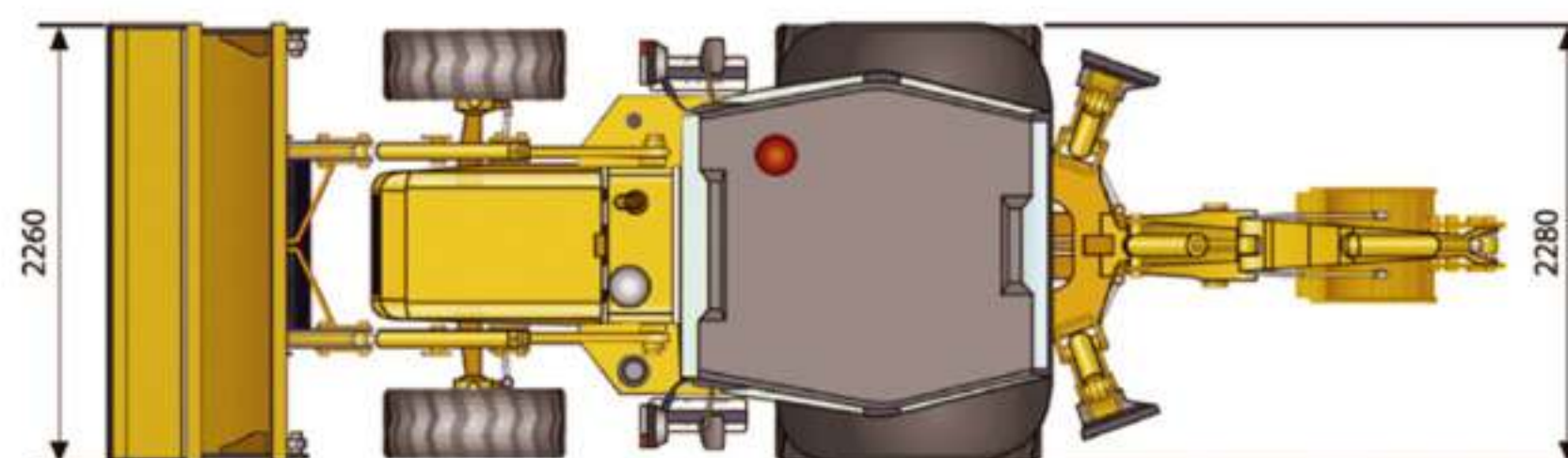
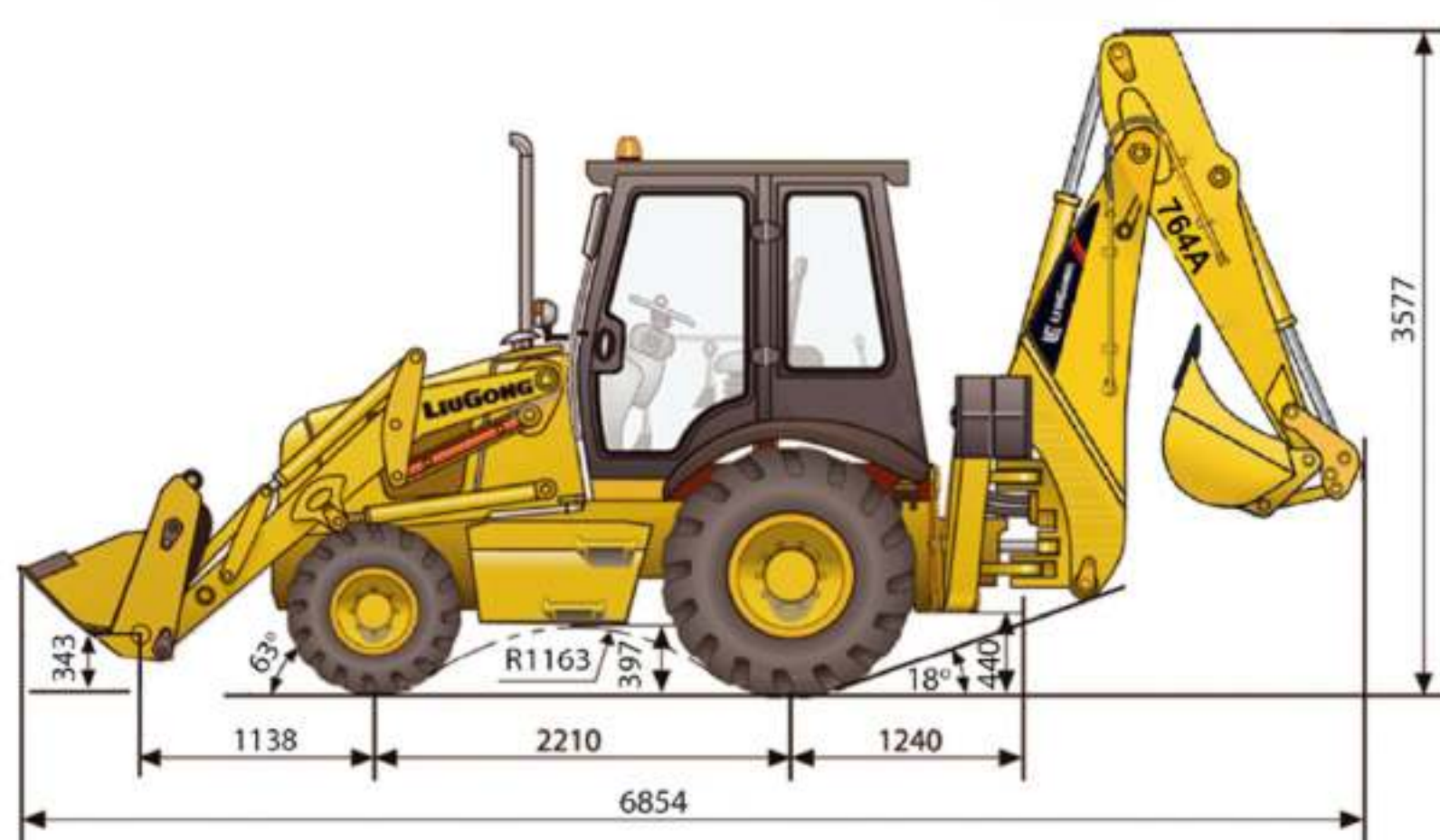
Fuel Tank	142 L
Engine Oil	12 L
Cooling System	23 L
Hydraulic Reservoir	130 L
Hydraulic System Total	170 L
Transmission and Torque Converter	38 L
Axle, front	6 L
Axle, rear	15 L

STANDARD EQUIPMENT

Yuchai engine	Rotary Beacon
Shantui Transmission	Hydraulic Shear
Enclosed Cab, with AC	Vibratory Tamper
Auxiliary Hydraulic Kit	Hydraulic Hammer
Feicheng Rear Drive Axles	4 in 1 Bucket 1.0 m ³
Chuangjie Front Drive Axles	Open Cab
Boom Interlock	
General Purpose Bucket 1.0 / 0.2 m ³	

OPTIONAL EQUIPMENT

Rotary Beacon
Hydraulic Shear
Vibratory Tamper
Hydraulic Hammer
4 in 1 Bucket 1.0 m ³
Open Cab



Unit: mm

Specifications and designs are subject to change without notice. Machines shown may include optional equipment. LiuGong standard and optional equipment may vary from region to region. Please consult your LiuGong dealer for information specific to your area.



KEM Tower Lantai 15, Jl. Landasan Pacu Barat Kav. 2 B-10, Gunung Sahari Selatan, Kemayoran Jakarta Pusat 10610
Phone : +62 21 6570 4111 (Hunting) | Fax : +62 21 6570 4110 | Email : info@probescos.com

Jakarta | Surabaya | Medan | Pekanbaru | Padang | Jambi | Lampung | Palembang | Bengkulu | Balikpapan | Banjarmasin | Pontianak | Sampit | Samarinda | Tarakan | Ketapang | Makassar | Manado | Timika | Kendari