

Engine	Cummins 4BTAA3.9
Rated Power	93 kW (125 hp) @ 2,200 rpm
Nominal Amplitude Range	2.0 / 1.1 mm
Vibration Frequency Range	30 / 33 Hz
Centrifugal Force Range	300 / 190 kN
Working Width	2,130 mm
Operating Mass	11,350 kg

6611E ROLLER



TOUGH WORLD. TOUGH EQUIPMENT.

6611E SPECIFICATIONS >>>

ENGINE

Emission Regulation	Tier 2 / Stage II
Make	Cummins
Model	4BTAA3.9
Rated Power	93 kW (125 hp) @ 2,200 rpm
Peak Torque	480 N · m
Number of Cylinders	4
Aspiration	Turbocharged & air-to-air inter-cooled
Cooling Type	Water

ELECTRICAL SYSTEM

System Voltage	24 V
----------------	------

DRIVE TRAIN

Theoretical Gradeability	45 %
Transmission Type	Mechanical
Maximum Travel Speed, Fwd	10.5 km/h
Min. Outside Turning Radius	6,500 mm

AXLES

Steering System	Hydraulic
Steering Method	Articulation
Steering Angle	± 35°
Steering Relief Pressure	16 MPa

BRAKES

Service Brake Type	Caliper dry disc
Service Brake Actuation	Air over hydraulic
Parking Brake Actuation	Mechanical apply; Hydraulic release

OPTIONAL EQUIPMENT

Padfoot Drum Segment Kit (PDH)
Rotary Beacon
Backup Alarm

TIRES

Tire Size	23.1-26-12PR
Tire Pressure	200-220 MPa

HYDRAULIC SYSTEM

Main Pump Type	Piston Pump
Main Relief Pressure	35 MPa

PERFORMANCE

Static Linear Front Drum Load	304 N/cm
Number of Vibrating Drums	1
Nominal Amplitude Range	2.0 / 1.1 mm
Vibration Frequency Range	30 / 33 Hz
Centrifugal Force Range	300 / 190 kN
Number of Amplitude Settings	2

OPERATING MASS

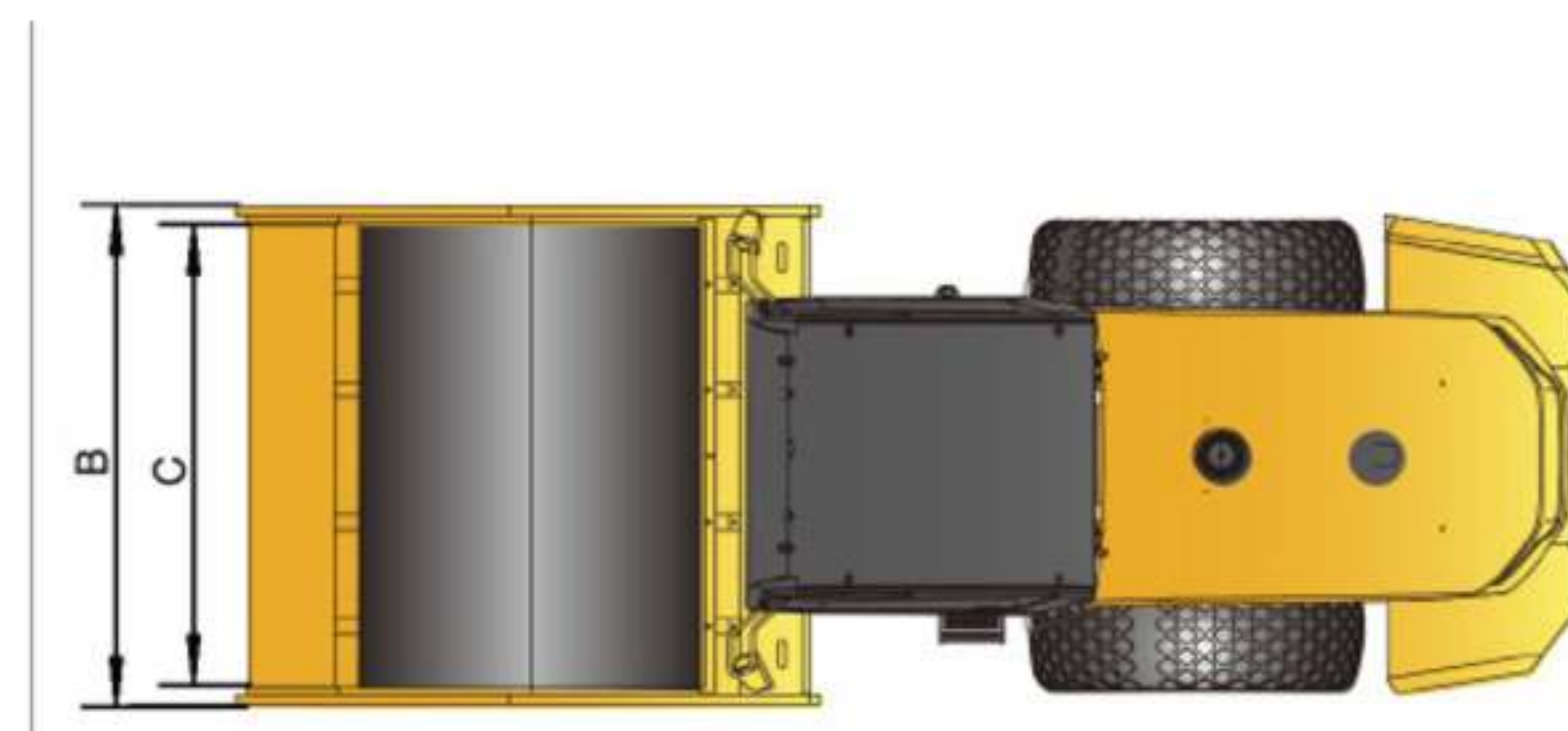
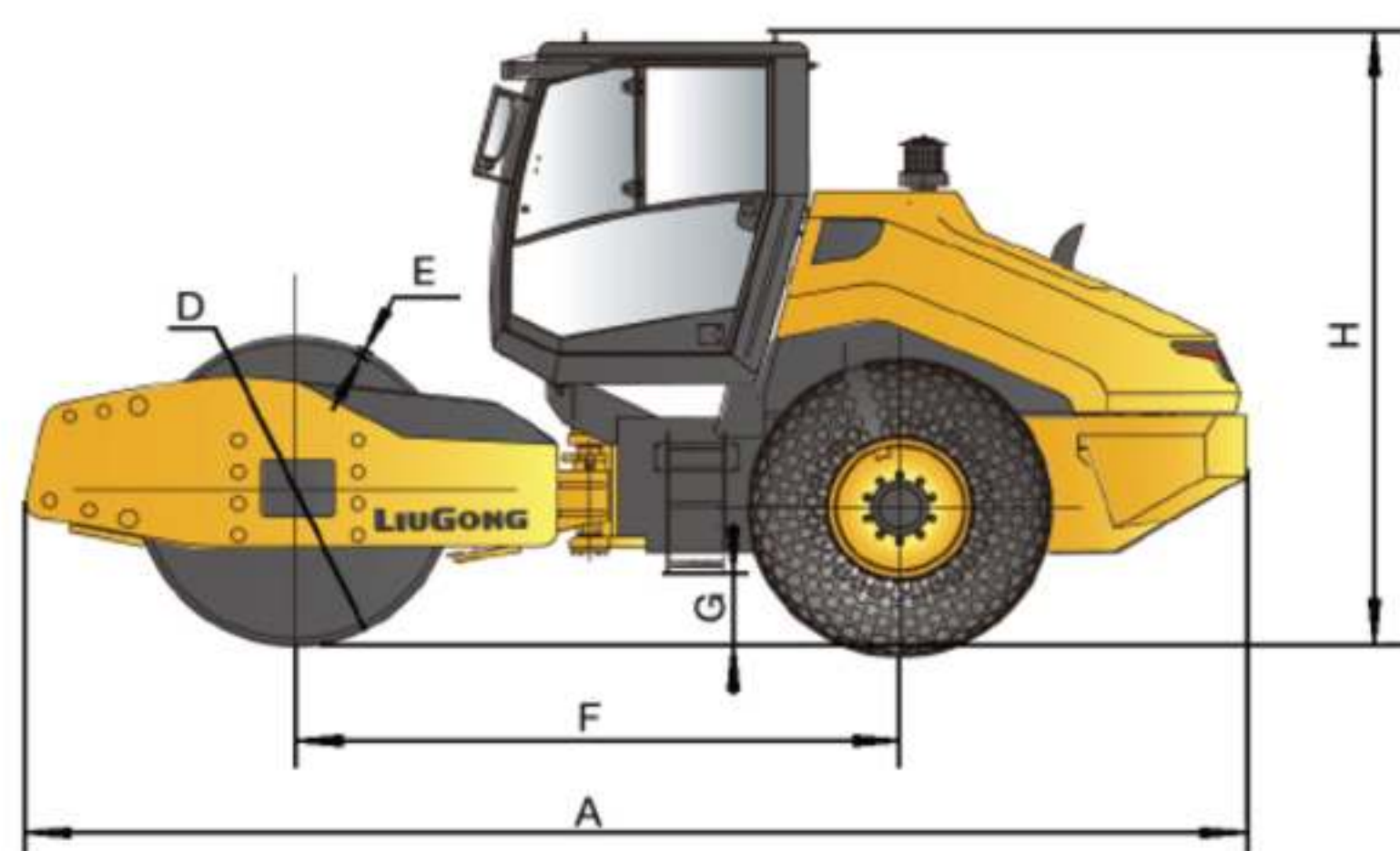
Operating Mass with Ballast	11,350 kg
Mass on Vibrating Drum	6,350 kg
Mass on Drive Axle	5,000 kg

SERVICE CAPACITIES

Fuel Tank	200 L
Engine Oil	11 L
Cooling System	28 L

DIMENSIONS

A Overall Length	6,000 mm
B Overall Width	2,280 mm
C Drum Width	2,130 mm
D Drum Diameter	1,555 mm
E Drum Thickness	30 mm
F Wheelbase	2,980 mm
G Min. Ground Clearance	470 mm
H Overall Height	3,180 mm



Specifications and designs are subject to change without notice. Machines shown may include optional equipment. Liugong standard and optional equipment may vary from region to region. Please consult your Liugong dealer for information specific to your area.



KEM Tower Lantai 15, Jl. Landasan Pacu Barat Kav. 2 B-10, Gunung Sahari Selatan, Kemayoran Jakarta Pusat 10610
Phone : +62 21 6570 4111 (Hunting) | Fax : +62 21 6570 4110 | Email : info@probesco.com

Jakarta | Surabaya | Medan | Pekanbaru | Padang | Jambi | Lampung | Palembang | Bengkulu | Balikpapan | Banjarmasin | Pontianak | Sampit | Samarinda | Tarakan | Ketapang | Makassar | Manado | Timika | Kendari