

Engine	Cummins 6BTAA5.9-C150-II
Gross Power	112 kW (150.2 hp)@1,950 rpm
Net Power	102 kW (136.8 hp)@1,950 rpm
Maximum Digging Depth	6,595 mm
Standard Bucket Capacity	0.9 m ³
Operating Weight	21,500 kg

920E EXCAVATOR



TOUGH WORLD. TOUGH EQUIPMENT.

920E SPECIFICATIONS >>>

ENGINE

Emission Regulation	Tier 2 / Stage II
Make	Cummins
Model	6BTAA5.9-C150-II
Gross Power	112 kW (150.2 hp)@1,950 rpm
Net Power	102 kW (136.8 hp)@1,950 rpm
Peak Torque	614 N·m@1,500 rpm
Number of Cylinders	6
Displacement	5.9 L

UNDERCARRIAGE

Shoe Width	600 mm
Number of Shoes per Side	46
Number of Upper Rollers per Side	7
Number of Bottom Rollers per Side	2

BOOM & ARM

Boom Length	5,710 mm
Arm Length	2,915 mm

BUCKET PERFORMANCE

Std. Bucket Heaped Capacity (Referenced)	0.9 m ³
Min. Heaped Capacity of Bucket Options	0.73 m ³
Max. Heaped Capacity of Bucket Options	1.1 m ³

TRACK DRIVE

Maximum Travel Speed	4.9 km/h
Drawbar Pull	220 kN

SERVICE CAPACITIES

Fuel Tank	420 L
Engine Oil	25 L
Cooling System	25 L
Hydraulic Reservoir	210 L
Hydraulic System Total	330 L

HYDRAULIC SYSTEM

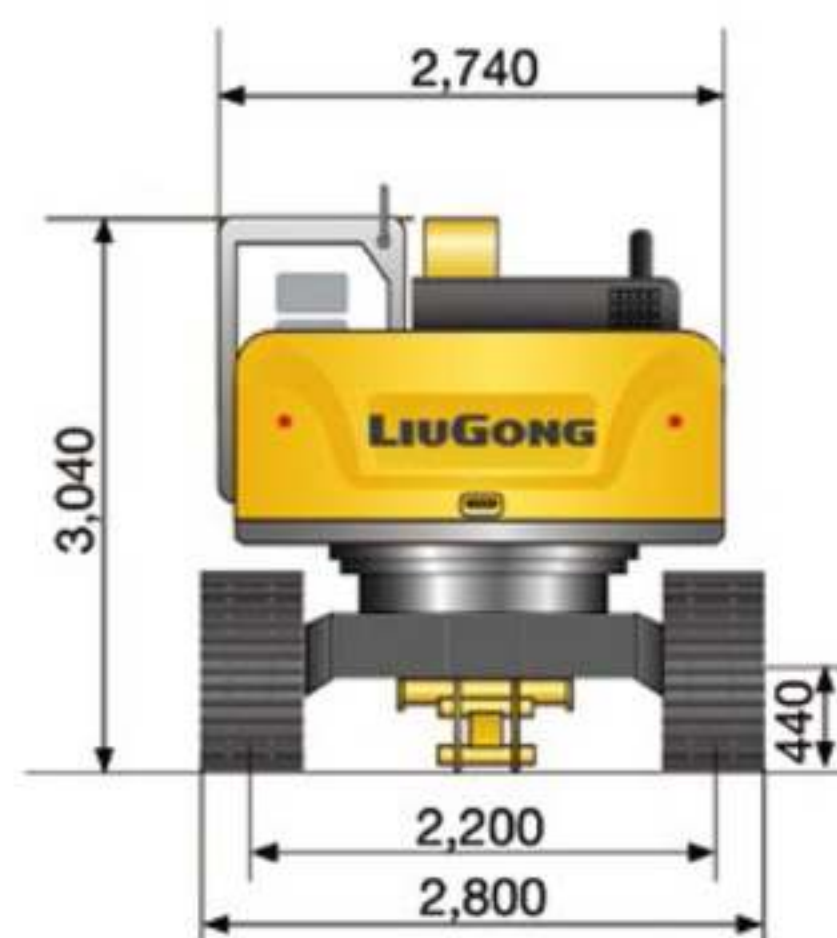
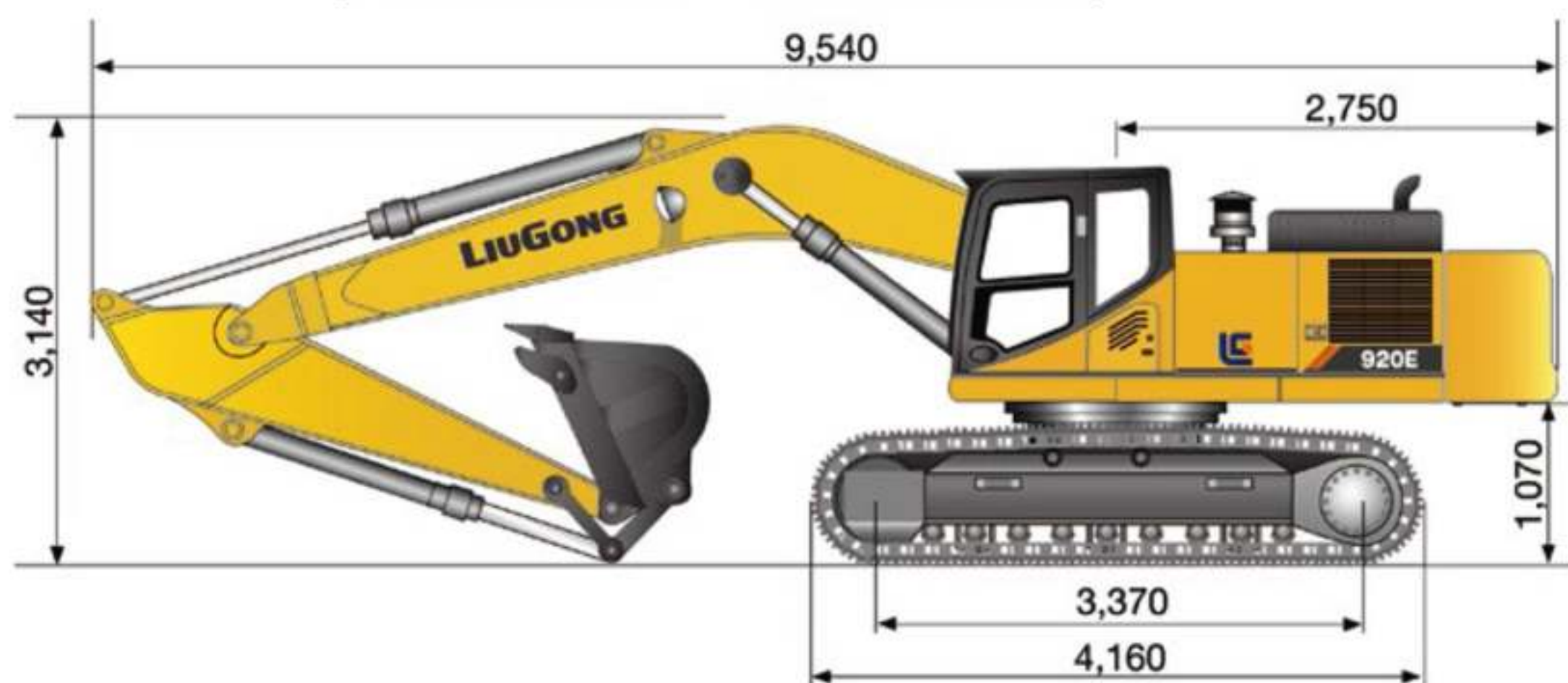
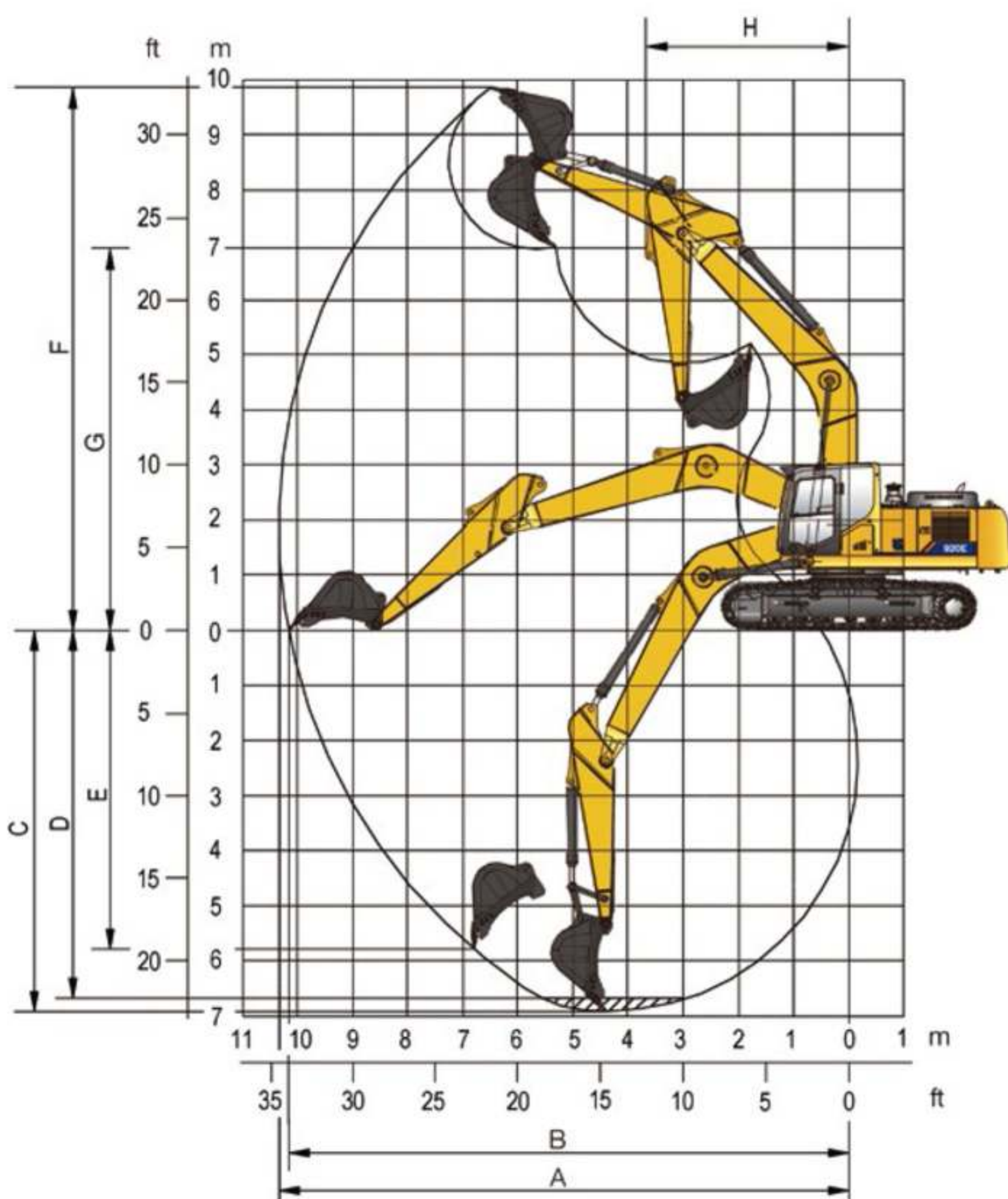
Main Pumps Total Flow	448 L/min
Relief Pressure, main	34.3 MPa
Relief Pressure, boost	37.3 MPa

SWING SYSTEM

Swing Speed	12 rpm
-------------	--------

WORKING RANGE

A. Max. Digging Reach	9,870 mm
B. Max. Digging Reach on Ground	9,685 mm
C. Max. Digging Depth	6,562 mm
D. Max. Digging Depth, 2.44 m (8') level	6,390 mm
E. Max. Vertical Wall Digging Depth	5,080 mm
F. Max. Cutting Height	9,945 mm
G. Max. Dumping Height	7,170 mm
H. Min. Front Swing Radius	3,090 mm
Bucket Digging Force (ISO)	152.5 kN
Arm Digging Force (ISO)	105 kN
Bucket Capacity	0.9 m ³



Specifications and designs are subject to change without notice. Machines shown may include optional equipment. LiuGong standard and optional equipment may vary from region to region. Please consult your LiuGong dealer for information specific to your area.



KEM Tower Lantai 15, Jl. Landasan Pacu Barat Kav. 2 B-10, Gunung Sahari Selatan, Kemayoran Jakarta Pusat 10610
Phone : +62 21 6570 4111 (Hunting) | Fax : +62 21 6570 4110 | Email : info@probesco.com

Jakarta | Surabaya | Medan | Pekanbaru | Padang | Jambi | Lampung | Palembang | Bengkulu | Balikpapan | Banjarmasin | Pontianak | Sampit | Samarinda | Tarakan | Ketapang | Makassar | Manado | Timika | Kendari