

Engine	Cummins B3.9
Gross Power	86 kW (117 hp) @ 2,200 rpm
Net Power	80.2 kW (109 hp) @ 2,200 rpm
Maximum Digging Depth	5,470 mm
Standard Bucket Capacity	0.6 m ³
Operating Weight	13,800 kg

915E

EXCAVATOR

 **LIUGONG**



TOUGH WORLD. TOUGH EQUIPMENT.

915E SPECIFICATIONS >>>

ENGINE	
Emission Regulation	Tier 2 / Stage II
Make	Cummins
Model	B3.9
Gross Power	86 kW (117 hp) @ 2,200 rpm
Net Power	80.2 kW (109 hp) @ 2,200 rpm
Peak Torque	447 N·m @ 1,500 rpm
Number of Cylinders	4
Displacement	3.9 L

TRACK DRIVE	
Maximum Travel Speed	5.4 km/h
Drawbar Pull	122 kN

UNDERCARRIAGE	
Shoe Width	500 mm
Number of Shoes per Side	46
Number of Bottom Rollers per Side	7
Number of Upper Rollers per Side	1

HYDRAULIC SYSTEM	
Main Pumps Total Flow	2×132 L/min
Relief Pressure, main	34.3 MPa
Relief Pressure, boost	37 MPa

SWING SYSTEM	
Swing Speed	12.94 rpm

REFERENCE ARM	
Arm Length	2,500 mm
Arm Breakout Force, max, ISO	70 kN

WORKING RANGES	
Maximum Dig Depth	5,470 mm
Reach at Ground Level	8,170 mm
Depth of 8' Level Bottom	5,250 mm
Maximum Dig Height	8,760 mm
Dump Height	6,310 mm
Maximum Dig Depth of Vertical Wall	5,250 mm

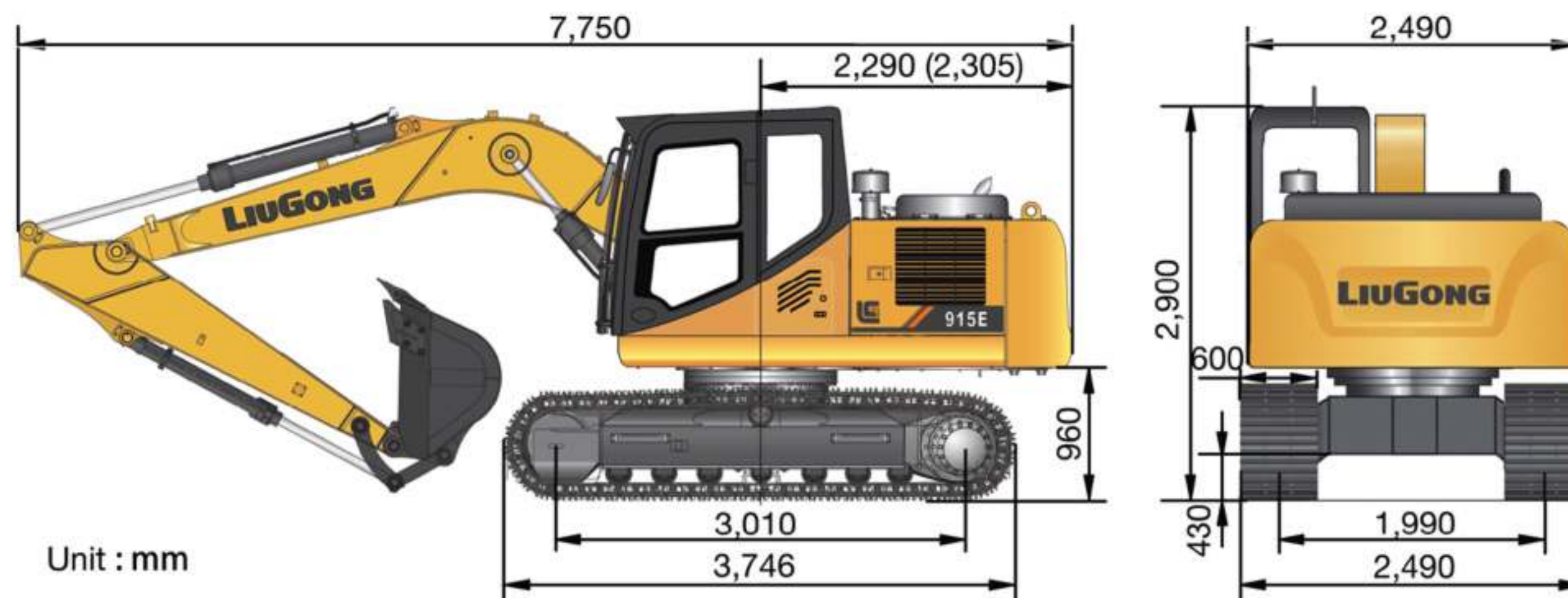
BUCKET PERFORMANCE	
Standard Bucket Heaped Capacity (Referenced)	0.6 m ³
Minimum Heaped Capacity of Bucket Options	0.36 m ³
Maximum Heaped Capacity of Bucket Options	0.73 m ³
Bucket Breakout Force, max, ISO	96.9 kN

SERVICE CAPACITIES	
Fuel Tank	245 L
Engine Oil	14 L
Cooling System	21 L
Hydraulic Reservoir	160 L
Hydraulic System Total	240 L

Bucket: SAE 0.6 m³, 576 kg, Boom: 4,600 mm, Arm: 2,500 mm, Shoes: 500 mm, Counterweight: 2,300 kg

Lift Point Height	Lift Point Diagrams										Max. Reach			
	2 m		3 m		4 m		5 m		6 m		Front	Side	mm	
6.0 m kg							※3,528	2,363			※3,585	2,210	5.2	
5.0 m kg							※3,464	2,368	3,119	1,750	3,119	1,750	6.0	
4.0 m kg					※3,946	3,289	※3,685	2,329	3,115	1,746	2,806	1,566	6.4	
3.0 m kg					※4,690	3,161	※4,076	2,263	3,080	1,714	2,530	1,400	6.8	
2.0 m kg					※5,543	3,011	4,006	2,183	3,032	1,671	2,397	1,316	7.0	
1.0 m kg				※8,840	※4,340	5,571	2,878	3,919	2,107	2,984	1,628	2,375	1,296	7.0
0 m kg				※9,168	※4,215	5,462	2,787	3,853	2,048	2,944	1,591	2,457	1,334	6.8
-1.0 m kg	※12,662	8,604	※9,030	※4,189	5,406	2,741	3,812	2,012	2,920	1,571	2,554	1,382	6.6	
-2.0 m kg	※11,640	8,661	※8,460	※4,198	5,394	2,731	3,800	2,003	2,921	1,572	2,921	1,572	6.0	
-3.0 m kg	※10,023	8,769	※7,450	※4,243	5,423	2,755	3,826	2,024			3,424	1,833	5.4	

- ※ Indicates the load is limited by hydraulic capacity rather than tipping capacity.
- The above rated loads are in compliance with ISO 10567 hydraulic excavator lift capacity rating standard. They do not exceed 87% of hydraulic lifting capacity or 75% tipping load.
- Ratings at bucket lift hook.



Specifications and designs are subject to change without notice. Machines shown may include optional equipment. Liugong standard and optional equipment may vary from region to region. Please consult your Liugong dealer for information specific to your area.



KEM Tower Lantai 15, Jl. Landasan Pacu Barat Kav. 2 B-10, Gunung Sahari Selatan, Kemayoran Jakarta Pusat 10610
Phone : +62 21 6570 4111 (Hunting) | Fax : +62 21 6570 4110 | Email : info@probesco.com

Jakarta | Surabaya | Medan | Pekanbaru | Padang | Jambi | Lampung | Palembang | Bengkulu | Balikpapan | Banjarmasin | Pontianak | Sampit | Samarinda | Tarakan | Ketapang | Makassar | Manado | Timika | Kendari