

Engine	Yanmar 4TNV98-ZCSLY
Gross Power	46.3 kW (62 hp) @ 2,200 rpm
Net Power	44.5 kW (60 hp) @ 2,200 rpm
Maximum Dig Depth	4,030 mm
Standard Bucket Capacity	0.32 m ³
Operating Weight	7,500/7,150 kg

908E EXCAVATOR



TOUGH WORLD. TOUGH EQUIPMENT.

908E SPECIFICATIONS >>>

ENGINE

Emission Regulation	Tier 3 / Stage IIIA
Make	Yanmar
Model	4TNV98-ZCSLY
Gross Power	46.3 kW (62 hp) @ 2,200 rpm
Net Power	44.5 kW (60 hp) @ 2,200 rpm
Peak Torque	245 N·m @ 1,650 rpm
Number of Cylinders	4
Displacemen	3.3 L

TRACK DRIVE

Maximum Travel Speed	4.8 km/h
Drawbar Pull	64 kN

UNDERCARRIAGE

Shoe Width	450 mm
Number of Shoes per Side	39
Number of Bottom Rollers per Side	5
Number of Upper Rollers per Side	1

HYDRAULIC SYSTEM

Main Pumps Total Flow	167.2 L/min
Relief Pressure, main	29.4 MPa
Relief Pressure, boost	/

SWING SYSTEM

Swing Speed	11 rpm
-------------	--------

REFERENCE ARM

Arm Length	1,650 mm
Arm Breakout Force, max, ISO	36 kN

WORKING RANGES

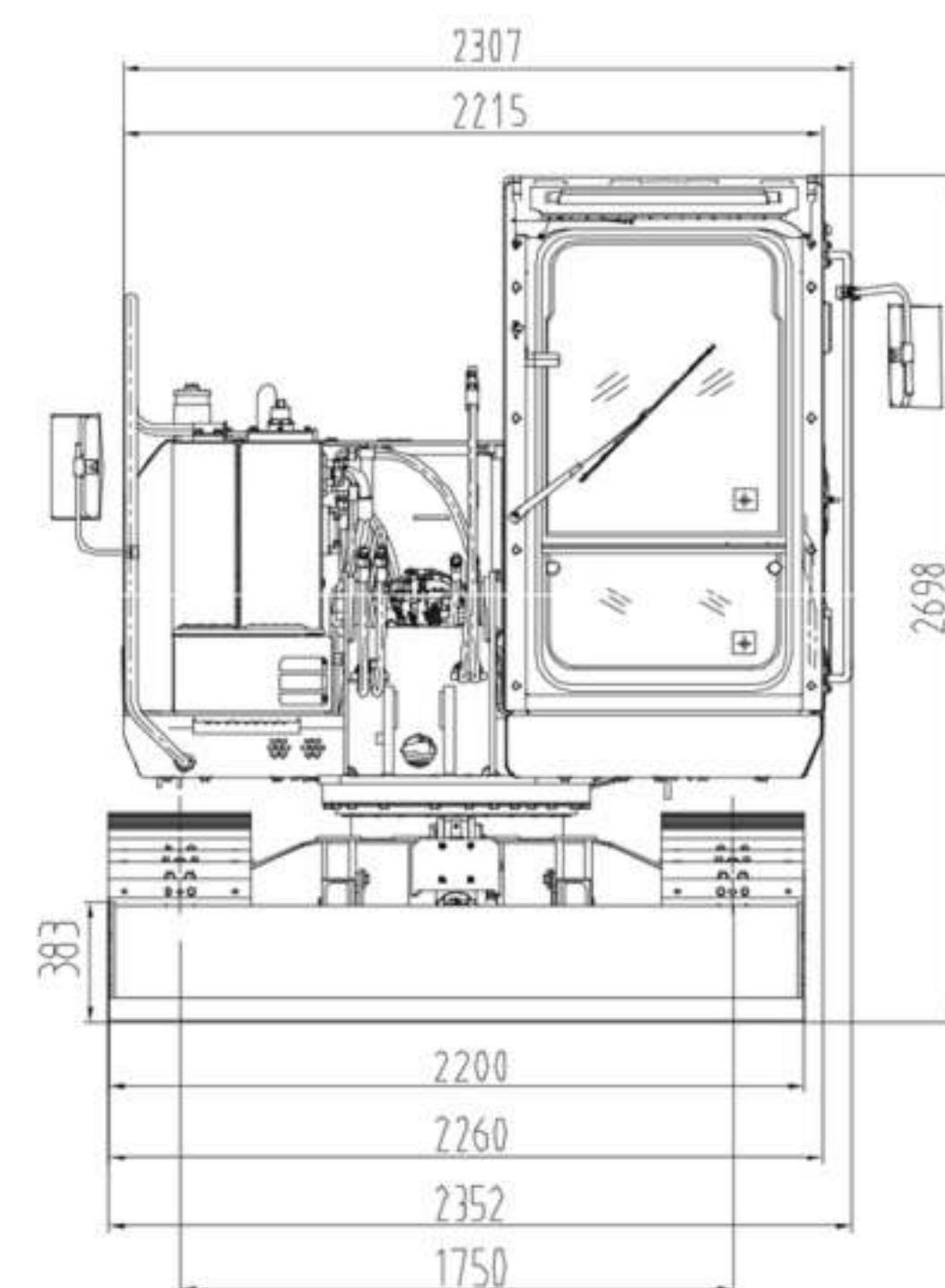
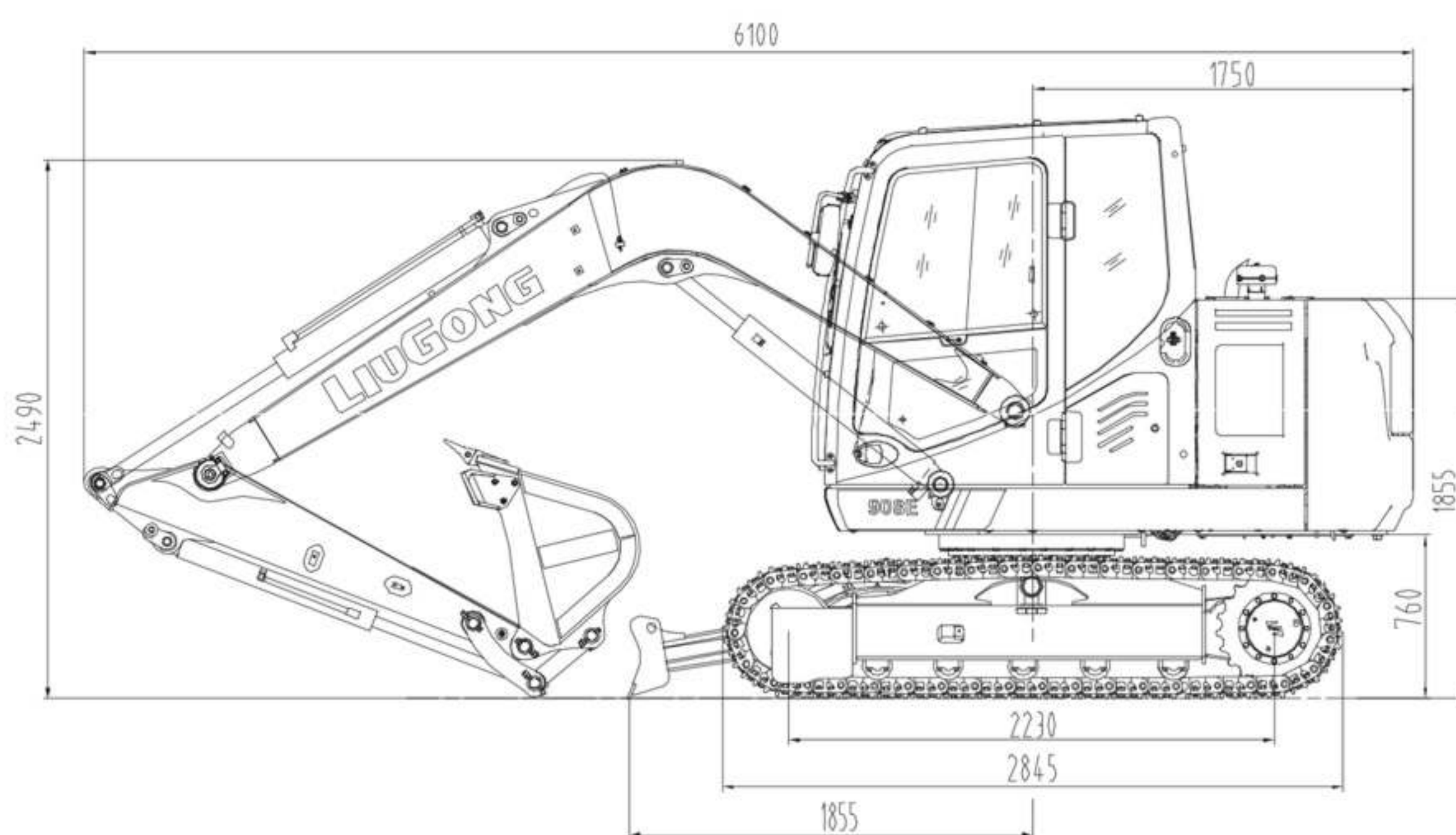
Maximum Dig Depth	4,030 mm
Reach at Ground Level	6,125 mm
Depth of 8' Level Bottom	3,645 mm
Maximum Dig Height	7,115 mm
Dump Height	5,080 mm
Maximum Dig Depth of Vertical Wall	3,240 mm

BUCKET PERFORMANCE

Standard Bucket Heaped Capacity (Referenced)	0.32 m ³
Minimum Heaped Capacity of Bucket Options	/
Maximum Heaped Capacity of Bucket Options	/
Bucket Breakout Force, max , ISO	56 kN

SERVICE CAPACITIES

Fuel Tank	140 L
Engine Oil	11.6 L
Cooling System	12 L
Hydraulic Reservoir	80 L
Hydraulic System Total	110 L



Specifications and designs are subject to change without notice. Machines shown may include optional equipment. LiuGong standard and optional equipment may vary from region to region. Please consult your LiuGong dealer for information specific to your area.



KEM Tower Lantai 15, Jl. Landasan Pacu Barat Kav. 2 B-10, Gunung Sahari Selatan, Kemayoran Jakarta Pusat 10610
Phone : +62 21 6570 4111 (Hunting) | Fax : +62 21 6570 4110 | Email : info@probesco.com

Jakarta | Surabaya | Medan | Pekanbaru | Padang | Jambi | Lampung | Palembang | Bengkulu | Balikpapan | Banjarmasin |
Pontianak | Sampit | Samarinda | Tarakan | Ketapang | Makassar | Manado | Timika | Kendari